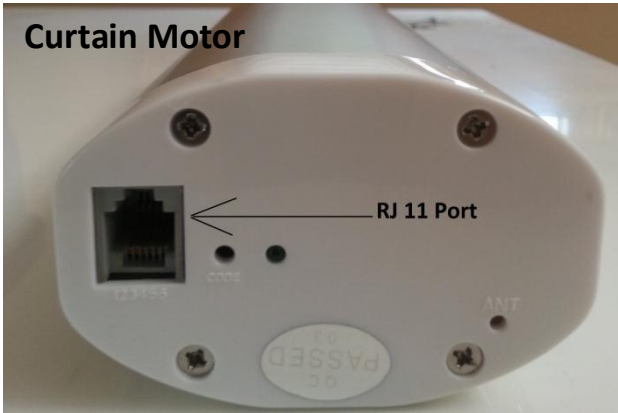


Control 4 to Dry Contact to RJ 11 Port in Low Voltage

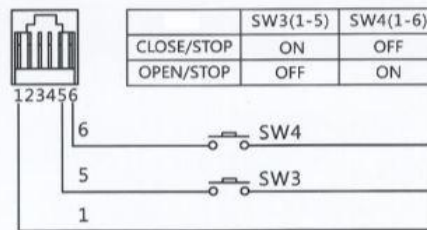
Curtain Motor



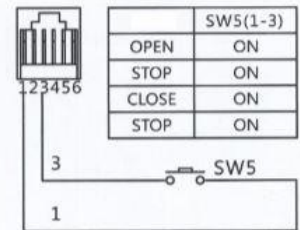
6P6C

PIN	DESCRIPTION
1	GND
2	CLOSE(34)
3	OPEN/STOP/CLOSE/STOP
4	OPEN(34)
5	CLOSE(12)/RS485-B
6	OPEN(12)/RS485-A

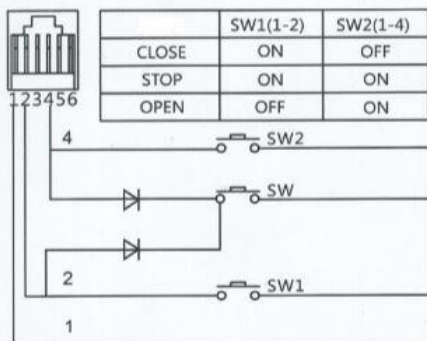
1/2 control logic



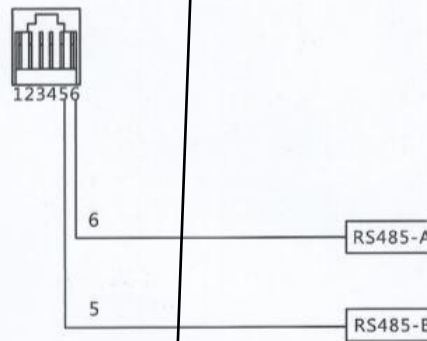
Single button control



3/4 control logic

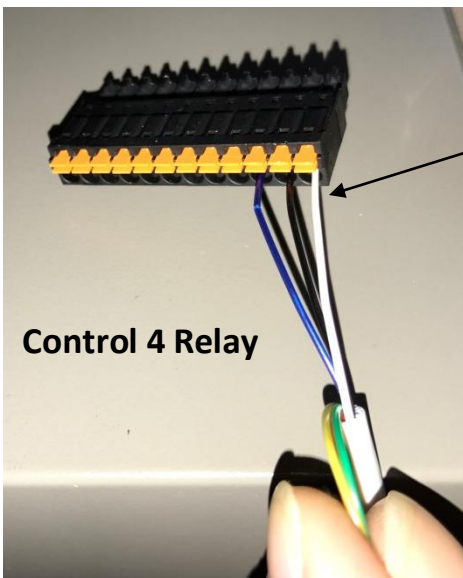


RS485(Must supported by custom programming)



Attention:

1. The control logic signal is pulse dry contact signal and lasts 100-200ms.
2. Provided RS485 control is required, instruction should be done prior to production.



Connect the cable 3 wires between the Control 4 Relay to the Motor RJ 11 port using 1/2 Control logic.

Insert the Control 4 Relay to the Control 4 Center



Then program it:

Control 4 Composer Programming

- System Design
 - Add Device
 - Blind
 - Single Relay Blind
- Properties
 - Hile Type
- Connections
 - Choose 191cy connection

Watch the video: <https://www.youtube.com/watch?v=ffxTjr1S1PM>

And this operation: <https://www.youtube.com/watch?v=lSmIYbh9fZ0>